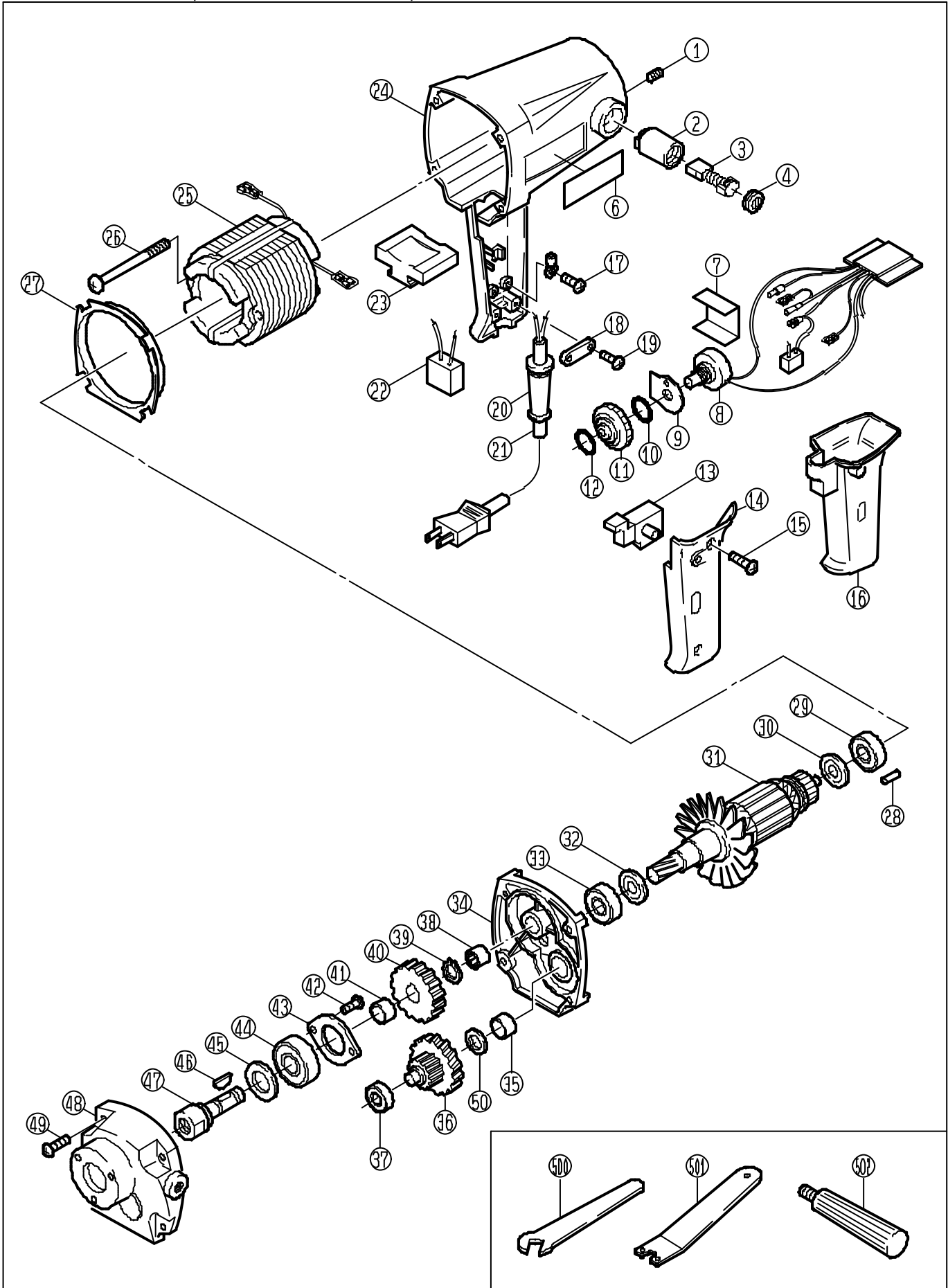


# SANDER-POLISHER

## PE-2000,CPE-2000,SPE-2000



# SANDER-POLISHER

PE-2000, CPE-2000, SPE-2000

